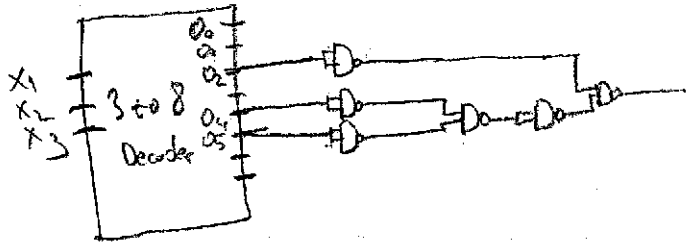


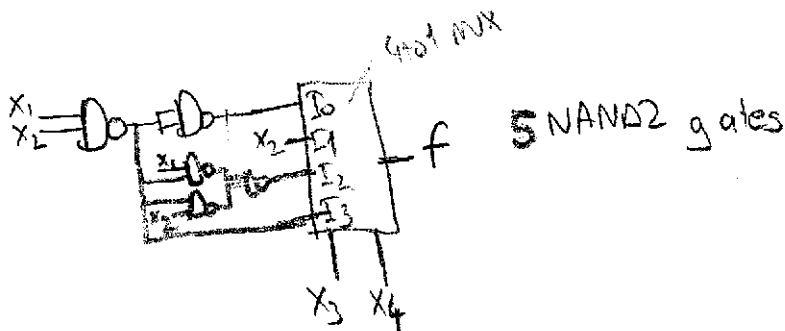
$$1) a) f(x_1, x_2, x_3) = (\overline{x_1 + x_2 + x_3}) \cdot (\overline{x_1 + x_2 + x_3}) \cdot (x_1 + \overline{x_2 + x_3}) \cdot (x_1 + x_2 + \overline{x_3}) \cdot (x_1 + x_2 + x_3)$$

$$= \overline{x_1} \cdot \overline{x_2} \cdot \overline{x_3} + x_1 \cdot \overline{x_2} \cdot \overline{x_3} + x_1 \cdot \overline{x_2} \cdot x_3$$



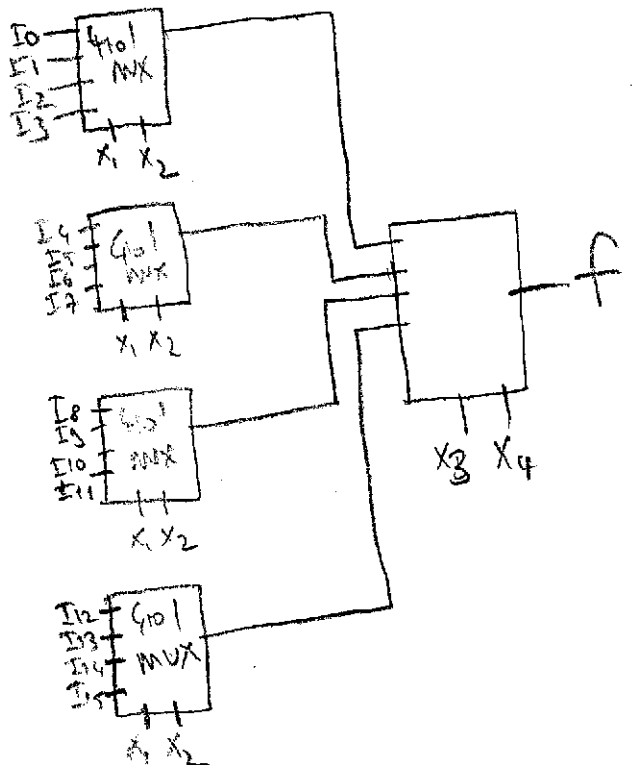
6 NAND2 gates

x_1	x_2	x_3	x_4	f
0	0	0	0	0
0	0	0	1	0
0	0	1	0	0
0	0	1	1	1
0	1	0	0	0
0	1	0	1	1
0	1	1	0	1
0	1	1	1	1
1	0	0	0	0
1	0	0	1	0
1	0	1	0	1
1	0	1	1	1
1	1	0	0	1
1	1	0	1	1
1	1	1	0	0
1	1	1	1	0



5 NAND2 gates

d)



x_1	x_2	x_3	x_4	f
0	0	0	0	1
0	0	0	1	1
0	0	1	0	0
0	0	1	1	0
0	1	0	0	1
0	1	0	1	0
0	1	1	0	0
0	1	1	1	1
1	0	0	0	0
1	0	0	1	0
1	0	1	0	1
1	0	1	1	0
1	1	0	0	0
1	1	0	1	1
1	1	1	0	0
1	1	1	1	1

