

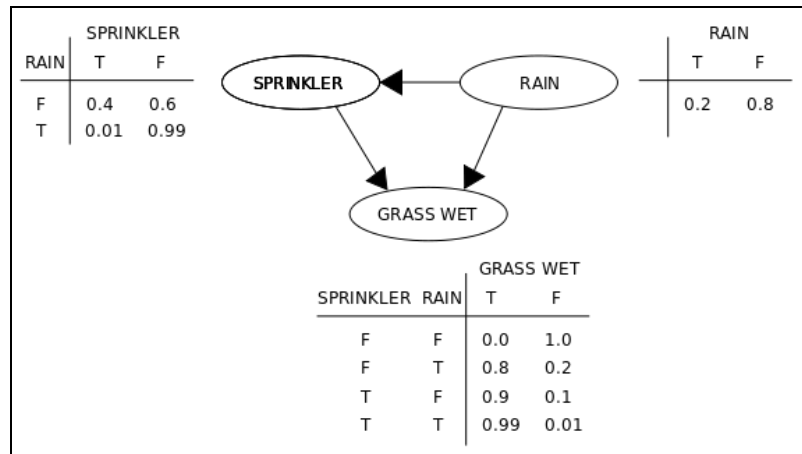
ELE523E Computational Nanoelectronics

Homework 4

Deadline: 10/12/2018 (before the lecture)

1. BAYESIAN NETWORKS

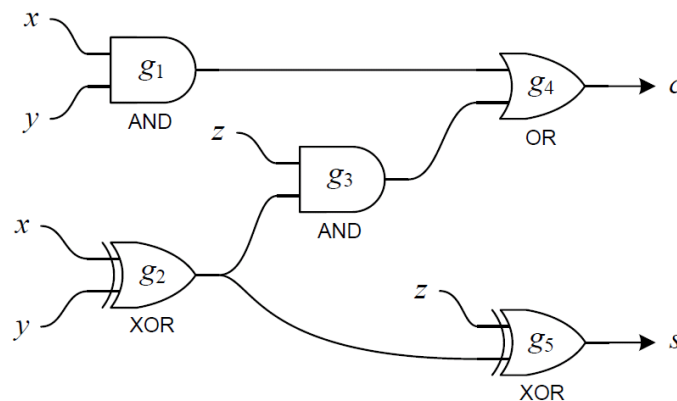
For the Bayesian network shown below, calculate the probability that it is **not** raining, given that the grass is **not** wet; $P(R=F | G=F)=?$



2. GATES WITH TRANSIENT FAULTS

Consider the circuit shown below. Suppose that each gate produces the incorrect result (i.e., the complement of the correct Boolean value) with an independent transition error probability of ϵ . For each input assignment of x , y and z , derive an expression stating the probability of obtaining an incorrect result at the outputs c and s . Expressions should be in terms of ϵ and/or the inputs x , y , and z . In your expressions, use arithmetic operators (not Boolean). Calculate the expressions by choosing $\epsilon = 0.05$ and determine the worst case input assignments, resulting in the highest error probabilities, for c and s .

- Hint: since each of the inputs x , y , and z takes 2 values (0 or 1), there should be total of 8 assignments. Since there are two outputs c and s , you should derive 2 expressions for each assignment, so a total of 16 expressions.



3. NANO ARRAYS WITH PERMANENT DEFECTS

Consider an $n \times n$ reconfigurable nano-crossbar array such that each crosspoint can be selected as a diode or an open circuit. Suppose that in the fabrication process, each crosspoint independently has a permanent stuck at deactivated **defect probability** of $\epsilon=0.25$. In other words, each crosspoint is stuck at open circuit that cannot behave as a diode anymore with a probability of 20%. You are asked to implement f with a minimum array size (minimum value of n) such that the array has at least 99% accuracy or success rate. It means that in average only 1 out of 100 arrays has an error. Also try to minimize the runtime value; it should under 10 minutes.

$$f = x_1x_2x_3 + x_1x_5 + x_2x_3x_4 + x_2x_5 + x_3x_5 + x_4x_5$$

- Hint: using a Monte Carlo analysis you can assign random defects and evaluate the error at the output for different n values.

Grading: 1)20%, 2)40%, 3)40%

Note: Return a hard-copy of your homework before the lecture; submissions during or after the lecture will be downgraded.